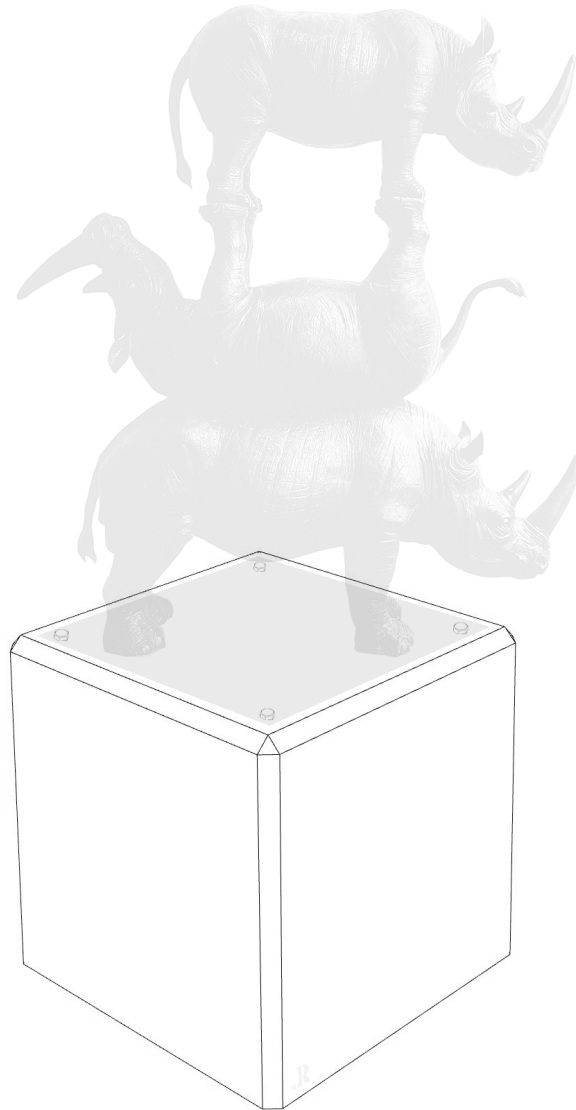


# Outdoor Sculpture Plinth

*A white cement plinth that provides a non-obtrusive, elevated professional outdoor art platform to the sculptor.*



Presenting a quality plinth for sculptors exhibiting at temporary outdoor sculpture events. The plinth is designed to be more than just a block of concrete, it is designed to compliment the artwork visually and provide stability and security.

Together with the input of design engineers and sculptors, we have developed a plinth that is reusable and standard. With the growing trend of sculpture festivals in a range of temporary locations, these plinths take the guesswork out for the artist and the event organiser.

There are 2 models of the plinths, the Mark I and Mark II. Mark I being taller above ground (560mm) and the Mark II low (250mm). 5 bolt points give the sculptor the flexibility to choose and adapt the base of their sculpture to bolt to any number of points deemed necessary to safely present their work.

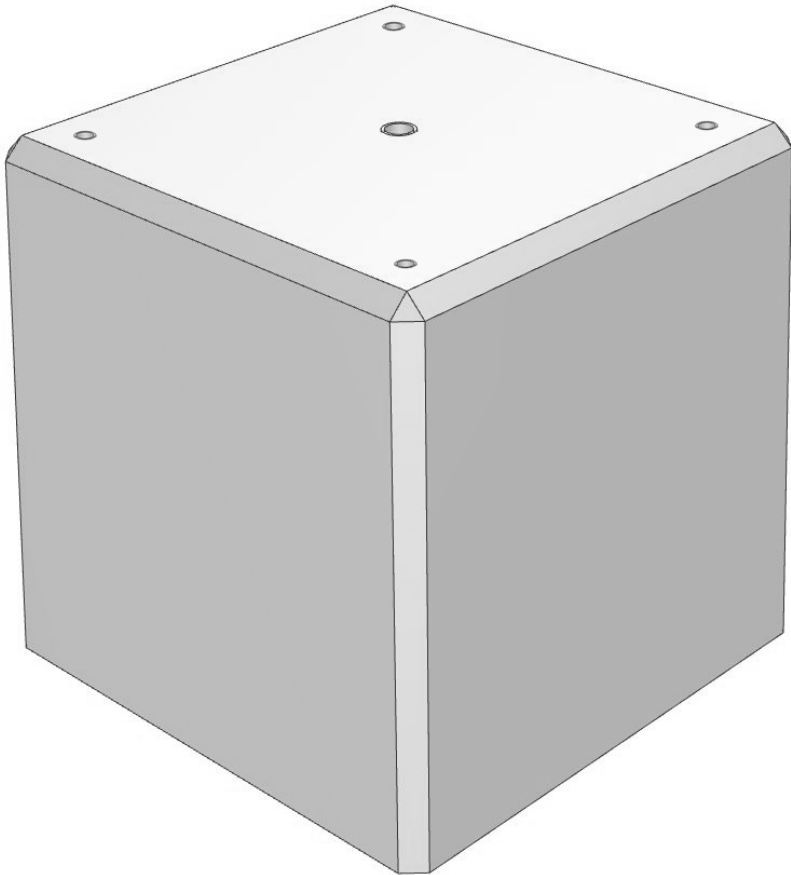
## ***Benefits of the cement plinth***

- Stable platform for sculpture display
- Standard bolt points to use for future work
- Security of work outdoors with sculpture bolted down
- Easy to place, transport and store
- Museum style display to compliment work
- Save time and resources with footings to secure sculpture base.

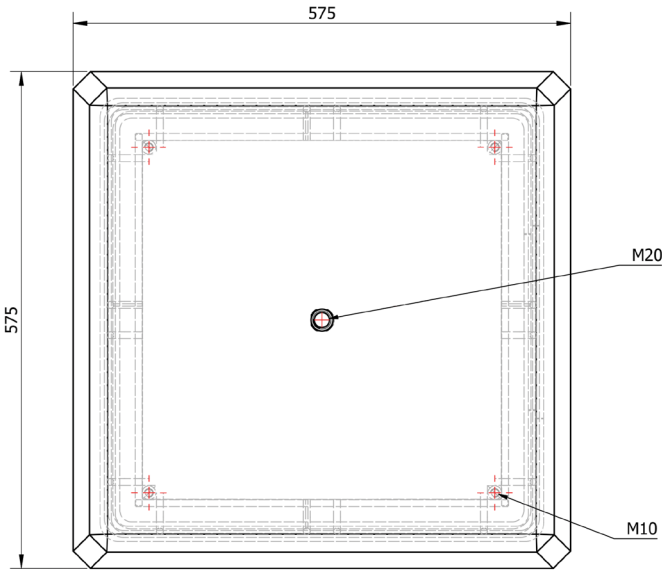
## ***Features of the cement plinth***

- White cement gives a clean presentation
- Cement additives provides a long outdoor service life of the plinth
- Steel reinforced internal structure
- 5 Standard Stainless Steel bolt points

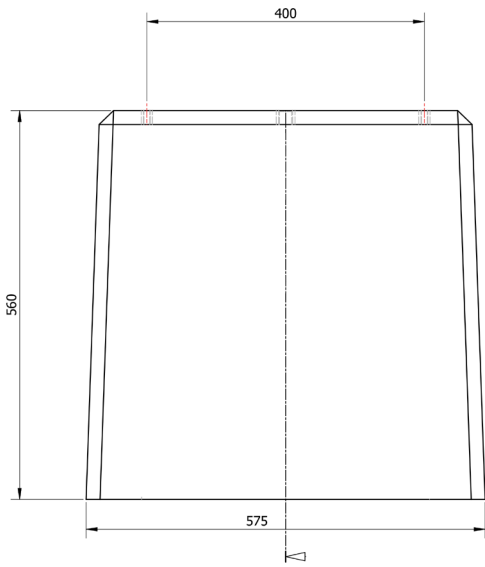
# Outdoor Sculpture Plinth - Mark I



\* Illustrated as grey, actual plinth is light grey, very close to white.



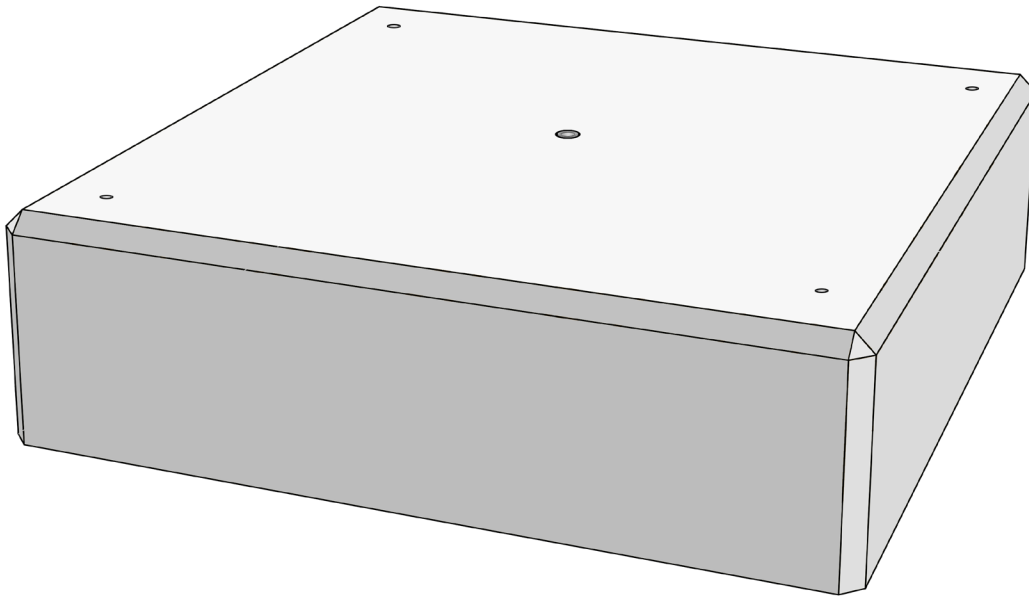
*Top View*



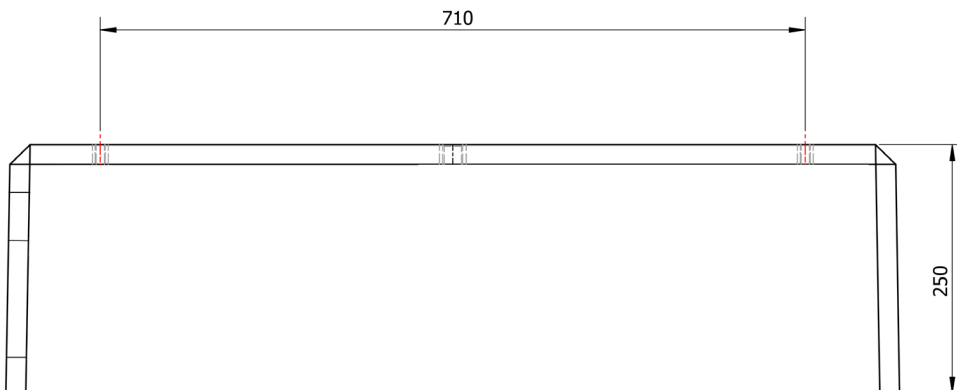
*Side View*

- Base: 575mm(l) x 575mm(w)
- Top: 570mm(l) x 570mm(w)
- Height: 560mm
- Weight: 250Kg
- 4 x M10 Bolt points 400mm apart - 70mm deep
- 1 x M20 Bolt point in centre of plinth - 70mm deep

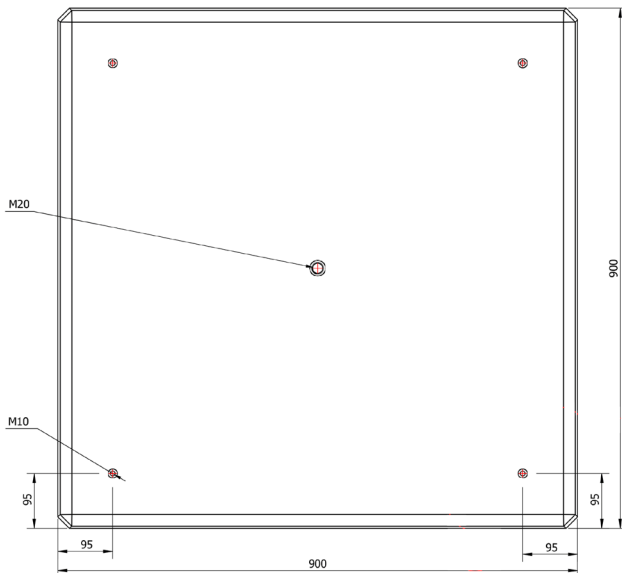
# Outdoor Sculpture Plinth - Mark II



\* Illustrated as grey, actual plinth is light grey, very close to white.



*Side View*



*Top View*

- Base: 900mm(l) x 900mm(w)
- Top: 895mm(l) x 895mm(w)
- Height: 250mm
- Weight: 350Kg
- 4 x M10 Bolt points 710mm apart - 70mm deep
- 1 x M20 Bolt point in centre of plinth - 70 mm deep